

SPECIFICATIONS

ZIGA ZAGA® VESSEL LAVATORY

Model

DC037350

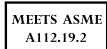
Description

- 24" w x 15 3/8" d x 5 5/8" h
- Faucet holes: none

Standards



• UPC



• ASME A112.19.2



• CSA B45.1

Warranty

Five Year Limited Warranty (Vitreous China)

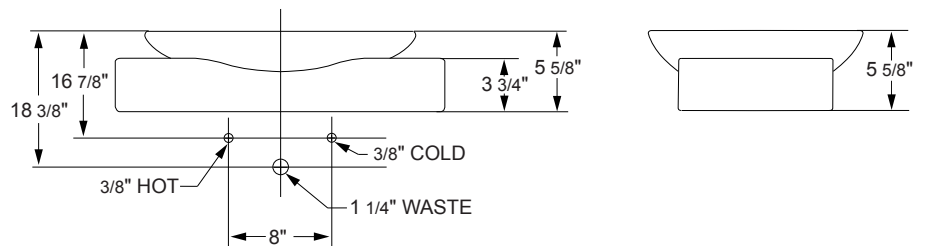
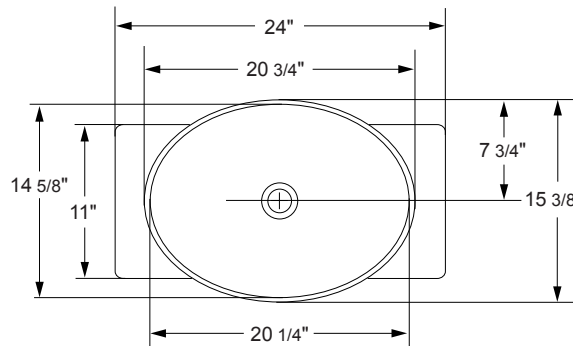
Technical Information

Fixture:	
Basin area	20 1/4" (51.4 cm) x 14 5/8" (37.1 cm)
Basin depth	3 1/2" (8.8 cm)
Drain hole	1 3/4" (4.4 cm)



Colors Available

- White (WH)



IMPORTANT: Dimensions of fixtures are nominal and may vary within the range of tolerance established by ASME Standard A112.19.2. These measurements are subject to change or cancellation. No responsibility is assumed for use of superseded or voided pages.

Submittal Information:

Job Name: _____
 Contractor: _____

Location: _____
 Contact #: _____