

**SPECIFICATIONS**

**MELROSE™ TWO HANDLE CENTERSET LAVATORY FAUCET**

**Model**

D301012 (Replaces D212111 series)

**Description**

- Ceramic disc valve
- 4 ½" high spout, 4 ½" spout length
- Metal pop-up drain assembly
- 3 hole mount

**Standards**



- NSF 61-9
- Energy Policy Act of 1992



NSF/ANSI 372

- ASME A112.18.1M/A112.18.1
- NSF/ANSI 372
- CSA B125.1

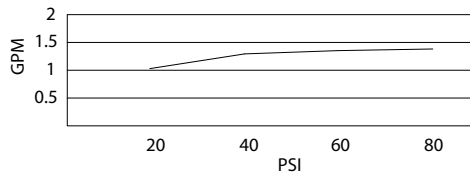


- ADA Accessibility Guidelines for Buildings and Facilities - 4.27.4 Controls and Mechanisms

**Warranty**

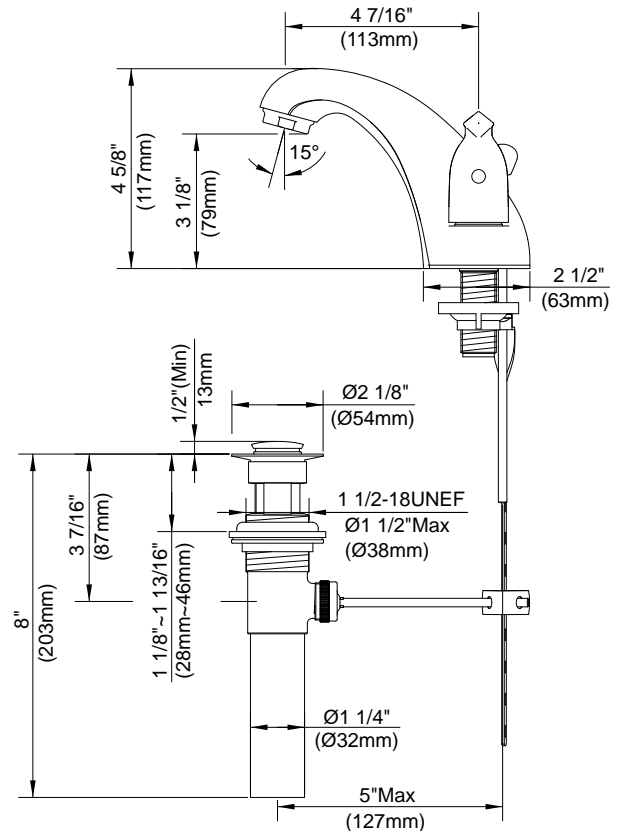
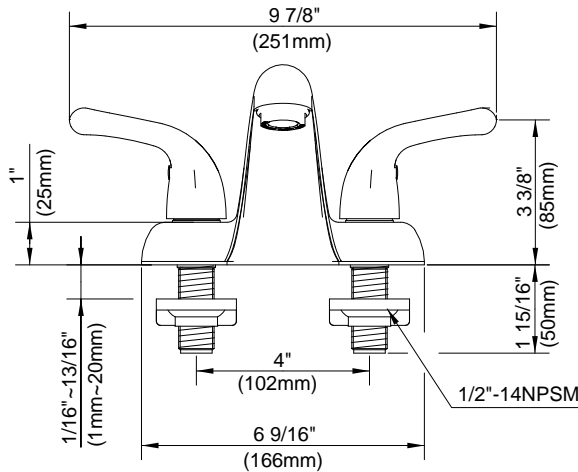
Danze products are covered by a manufacturer's limited "lifetime" warranty for manufacturing defects.

**Flow Rate**



**Finishes Available**

- Chrome
- Other: Refer to Price List for additional finish



**Submittal Information:**

Job Name: \_\_\_\_\_  
 Contractor: \_\_\_\_\_

Location: \_\_\_\_\_  
 Contact #: \_\_\_\_\_