

SPECIFICATIONS


Features/Benefits

- Diverter on Valve
- Requires Gerber Treysta[®] Rough-In, G00GS555S (Horizontal Inputs) or G00GS557S (Vertical Inputs), Sold Separately
- Includes Treysta[®] Ceramic Disc Pressure Balance Cartridge
- 6" Metal Shower Arm (D510058LSTC Only)
- 6 1/2" Tub Spout, D606558 (D510058LSTC Only)
- Finish-Matched Deep Wall Kit, D113001, Sold Separately
- Finish-Matched Shallow Wall Kit, GA663B11, Sold Separately



Available Color/Finishes

| Color | Description |
|-------|-------------|
|-------|-------------|

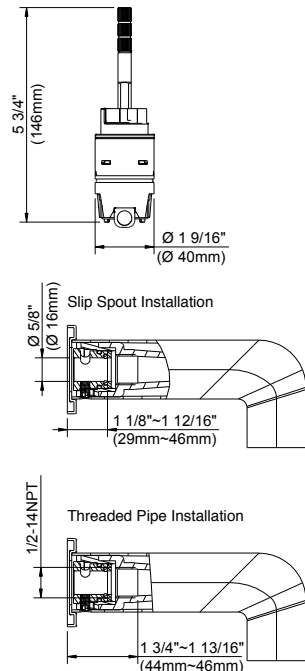
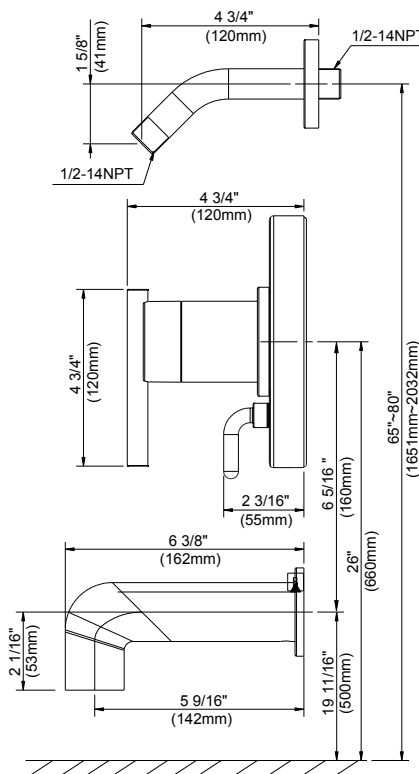
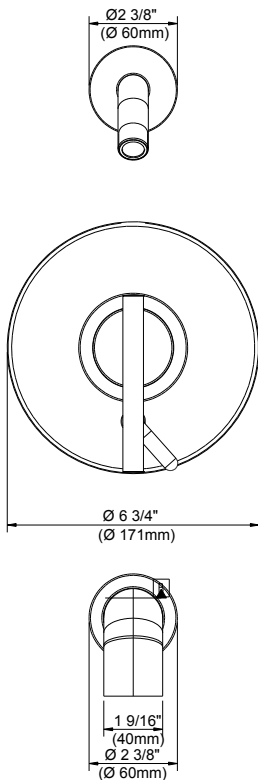
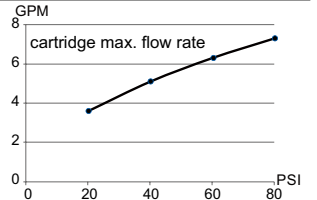
 **Chrome**
Please see danze.com or current price list for available finishes.
Finish is defined by additional suffix.

Standards & Certifications



(Lever Handle)

Flow Rate



Submittal Information:

Name: _____
Location: _____

Contractor: _____
Contact #: _____